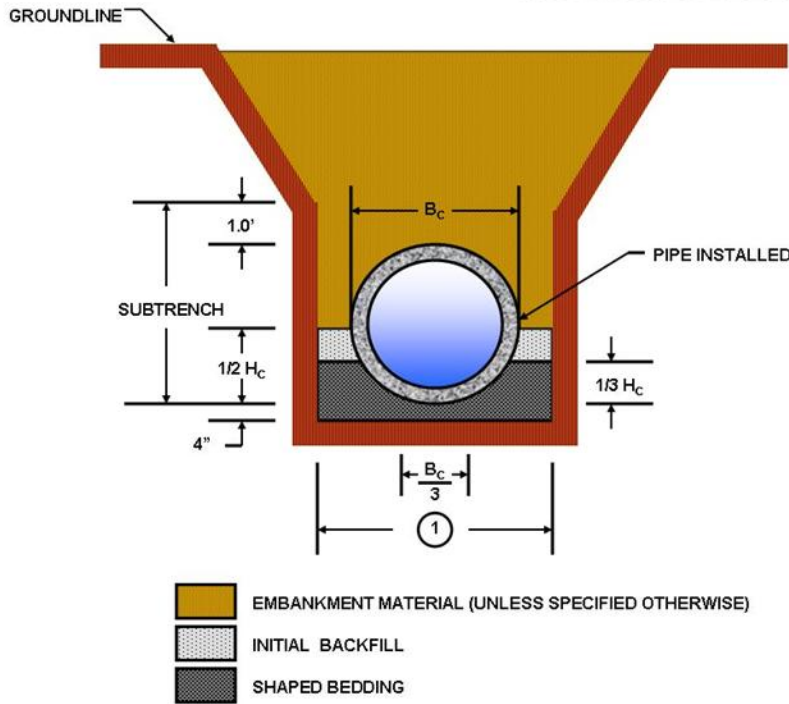
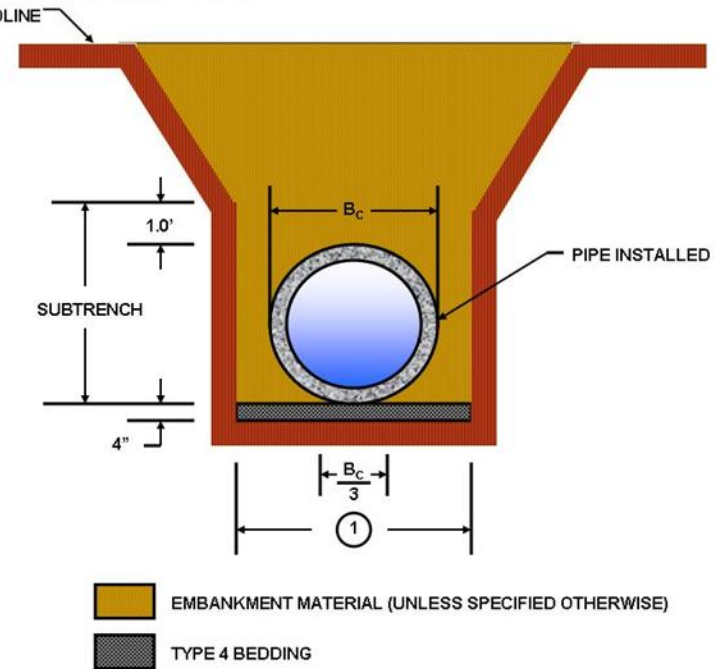
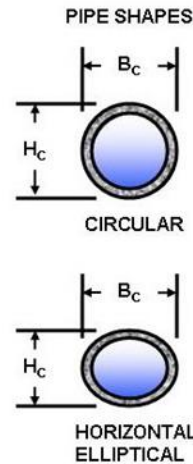


**NEW KENTUCKY TRANSPORTATION CABINET DESIGN REQUIREMENTS FOR REINFORCED CONCRETE PIPE
FILL HEIGHTS AND INSTALLATION PROCEDURES
(DESIGN MEMORANDUM NO. 9-05: DATED MAY 12, 2005)**



TYPE 1 INSTALLATION

FOR ALL RCP INSTALLATIONS (EXCEPT TYPE 4) WHEN THE TOP OF PIPE IS NOT WITHIN ONE PIPE DIAMETER OF THE SUBGRADE AS SPECIFIED IN SECTION 701.03.06A OF THE KYTC STANDARD SPECIFICATIONS (LATEST EDITION).



TYPE 4 INSTALLATION

FOR RCP MEDIAN DRAINS AND INSTALLATIONS LOCATED 35 FEET OR MORE FROM THE EDGE OF SHOULDER, BACK OF CURB, OR ANY PAVED SURFACE AS SPECIFIED IN SECTION 701.03.06A OF THE KYTC STANDARD SPECIFICATIONS (LATEST EDITION).

NOTES:

①

B_c + 24" FOR RCP 36" DIAMETER OR LESS
B_c + 48" FOR RCP GREATER THAN 36" DIAMETER

PLACE PIPE ON 4" UNCOMPACTED BEDDING MATERIAL. LEAVE CENTER THIRD OF OUTSIDE PIPE DIAMETER (B_c / 3) BEDDING UNCOMPACTED FOR TYPE 1 AND TYPE 4 INSTALLATIONS.

IF ROCK FOUNDATION IS ENCOUNTERED, EXCAVATE SUBTRENCH AN ADDITIONAL DEPTH THAT IS A MINIMUM OF 6" AND SHALL NOT EXCEED 24". BACKFILL WITH COMPACTED BEDDING MATERIAL IN LAYERS 6" OR LESS.

WRAP BEDDING MATERIAL IN GEOTEXTILE FABRIC WHEN THE STANDARD SPECIFICATION SPECIFIES.

THE MAXIMUM COVER HEIGHT FOR HORIZONTAL ELLIPTICAL PIPE IS 10 FEET.

REVISED FILL HEIGHT TABLES

MAX. COVER HEIGHT		
CLASS	TYPE 1	TYPE 4
III	25'	9'
IV	38'	15'
V	57'	23'

2' OF COVER OR LESS	
CLASS	PIPE DIA.
V	12" - 15" - 18"
IV	21" - 24"
III	27" & LARGER



INDIANA • KENTUCKY • OHIO
CONCRETE PIPE
ASSOCIATION